

Product Installation Guidelines

Version 1, 3 November 2023, Page 1 of 4

Spare Parts Kit for All Fire Hose Reels

PRODUCT CODE:

- 383638



KIT CONTENTS

| Item Code | Description | Qty |
|-----------|--|-----|
| 725345 | Nitrile O-Ring BS018 | 1 |
| 20735 | Nitrile O-Ring BS112 | 1 |
| 20701 | Nitrile O-Ring BS113 | 1 |
| 20719 | Nitrile O-Ring BS115 | 1 |
| 20720 | Nitrile O-Ring BS116 | 1 |
| 725800 | Nitrile O-Ring BS121 | 4 |
| 383604 | Nitrile O-Ring BS211 for Fire Hose Reel Main Spindle | 2 |
| 716973 | Nitrile O-Ring BS212 | 2 |
| 383612 | Nitrile O-Ring for Fire Hose Reel Waterway (Old G3/G4 Hinge) (BS215) | 2 |
| 725600 | SS External Circlip 25mm | 2 |
| 703332 | ST/ST Locking Spring for Fire Hose Reel Nozzle | 1 |

SPECIFICATIONS

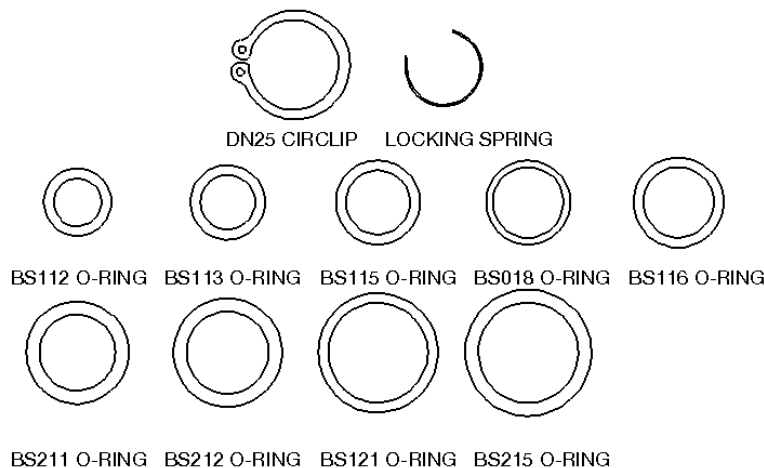
- Service parts suitable for all Galvin Engineering fire hose reels
- O-rings made from nitrile rubber

WARNINGS: Special attention to be paid on notes, photos, images, or drawings of assembly steps marked with the warning symbol.

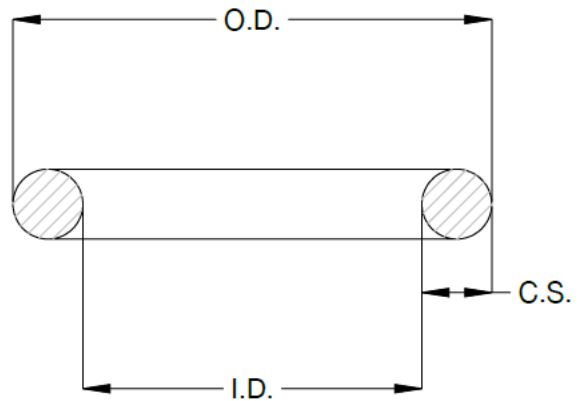
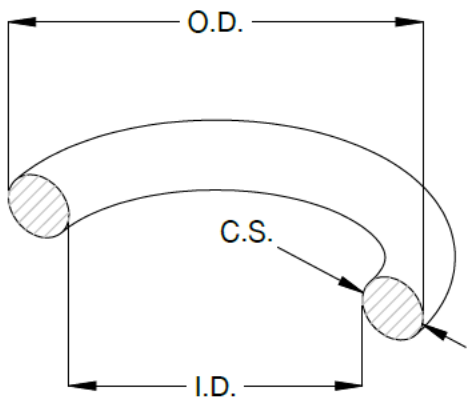


PRE-INSTALLATION

Note: Before disassembling the fire hose reel, ensure mains water is shut off.



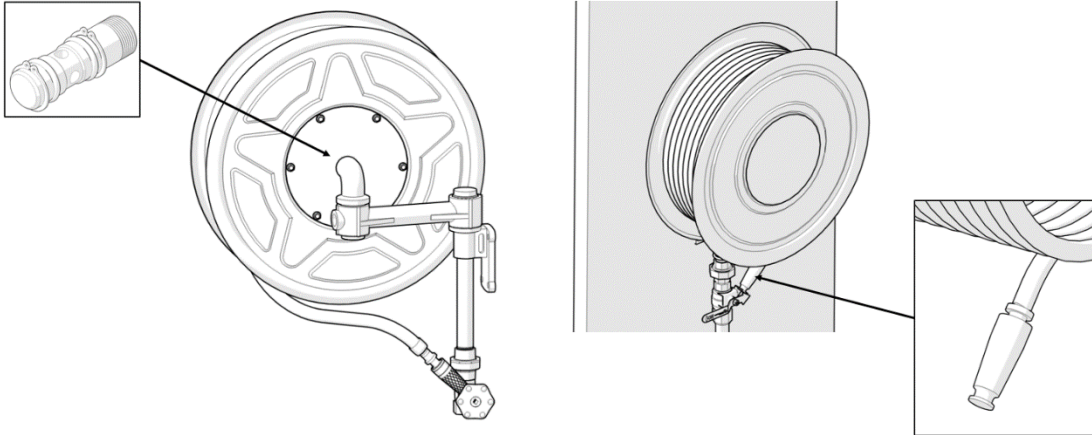
O-RING DIMENSIONS



| Item Code | Size Reference | Outside Diameter (O.D.) (mm) | Inside Diameter (I.D.) (mm) | Cross Section (C.S.) (mm) |
|-----------|----------------|------------------------------|-----------------------------|---------------------------|
| 725345 | BS018 | 22.33 | 18.77 | 1.78 |
| 20735 | BS112 | 17.61 | 12.37 | 2.62 |
| 20701 | BS113 | 19.18 | 13.94 | 2.62 |
| 20719 | BS115 | 22.36 | 17.12 | 2.62 |
| 20720 | BS116 | 23.96 | 18.72 | 2.62 |
| 725800 | BS121 | 31.88 | 26.64 | 2.62 |
| 383604 | BS211 | 27.28 | 20.22 | 3.53 |
| 716973 | BS212 | 28.88 | 21.82 | 3.53 |
| 383612 | BS215 | 33.63 | 26.57 | 3.53 |

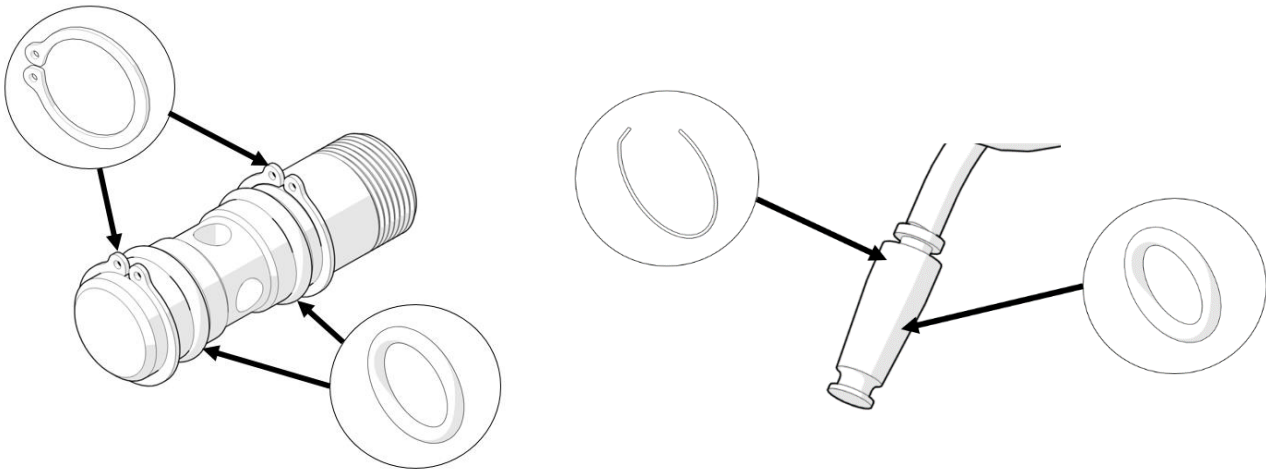
INSTALLATION

INSTALLATION COMPLIANCE: Galvin Engineering products must be installed in accordance with these installation instructions and in accordance with AS/NZS 3500, the PCA and your local regulatory requirements. Water and/or electrical supply conditions must also comply to the applicable national and/or state standards. Failing to comply with these provisions shall void the product warranty and may affect the performance of the product.



1. Disassemble

- Locate which components of the fire hose reel are needed to be replaced by serviceable parts.
- Disassemble portions of the fire hose reel where part replacement is needed.

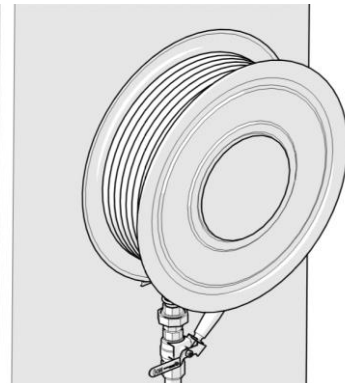


2. Replace parts

- Once components are disassembled, replace the serviceable parts as shown.
- An AS4020 approved grease such as Molykote 111 should be applied to all O-rings during installation.

3. Reassemble

- Reassemble fire hose reel and check for correct operation.



TROUBLESHOOTING

| PROBLEM | CAUSE | RECTIFICATION |
|------------------|--|---|
| Water is leaking | Parts replaced incorrectly or grease not used on O-rings | Check if correct parts are used during part replacement. An AS4020 approved grease such as Molykote 111 should be applied to all O-rings during installation. |

WARRANTY

Galvin Engineering products are covered under our Manufacturer's Warranty. Galvin Engineering products must be installed in accordance with the installation instructions and in accordance with AS 3500 and NCC Volume Three, relevant Australian Standards and local authorities applicable to product being installed. Water and electrical supply conditions must also comply to the applicable national and/or state standards, failing to comply with these provisions may void the product warranty and affect performance of the product.

Please visit www.galvinengineering.com.au to view the full warranty, our Installation Compliance and Maintenance & Cleaning information as well as any other additional information.

Within Australia: 1300 514 074 Outside Australia: P: +61 (0)8 9338 2344

F: +61 (0)8 9338 2340

sales@galvinengineering.com.au

www.galvinengineering.com.au

ABN: 78 008 719 382

PERTH | SYDNEY | MELBOURNE | BRISBANE | ADELAIDE



Environment
ISO 14001
SAI GLOBAL



Quality
ISO 9001
SAI GLOBAL